



## TWIST-BAND T1 0,42



## **CORPORATE**

- IROSTEL, since 1995, we are specialists in closure systems (Clip-Band and TwistBand) that are used in different sectors: food, packaging, agriculture, industry ...
  - In the year 2000, at IROSTEL we began a policy of international expansion and expanded the commercialization and distribution network throughout Europe and Latin America.
  - IROSTEL carries out research and product development tasks to offer differential and high value-added products covering the expectations of the most demanding clients.
  - At IROSTEL we work closely with companies to offer innovative products adapted to the needs of each client.
  - The awareness and interest of IROSTEL for sustainability and the environment, has allowed us to develop new ecological and recyclable products with biodegradable materials such as oxodegradable plastic or paper.
  - IROSTEL's planning, capacity and productive agility allow us to offer bespoke products very quickly in times of manufacture and delivery of material.
  - IROSTEL with 25 years of experience and more than 500 clients offers excellence, innovation and the maximum guarantee.
-



## **PRODUCTS**

- Product adaptation to customer needs. (food, packaging, agriculture, gardening, industry, pharmaceutical ...)
- Perfect closure systems to preserve the quality of the packaged product.
  - The wire is always coated and does not protrude from its coating.
  - Perfect winding in parallel or cross to ensure continuous and perfect operation of the machines.
- Infers quality to the embalmed product.
- Biodegradable and sustainable materials.

## **SERVICES**

- Coils compatible with all automatic or semi-automatic machines on the market.
  - Distributors of closing machines.
  - Technical assistance service.
  - Agility and efficiency.
  - Availability and immediate delivery.
  - Custom order volume.
-

**TWIST - BAND T1:**

Polypropylene closure system reinforced with 1 wires in the center.

**Wire diameter**

0,42 mm

0,58 mm

**Twist - Band width:**

3 mm

**Coil length:**

1000 - 500 m - other lengths available on request.

**Strips**

Custom strips available on request.

**Colours**

Available in 10 colours: White, black, red, orange, blue, green, yellow, grey, brown, gold.  
Other colours available on request.

**Applications**

Compatible with all standard packing machines.

Food.

Industry.

Farming.

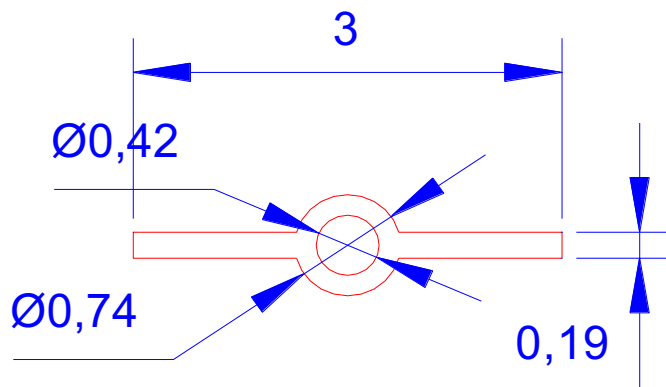
Gardening

**Data sheet (PDF) Available:**

- Twist-band T1
  - Coils Twist-band
  - Color chart
  - Fine profile T1
  - Fine profile T1 coils
-

# TWIST-BAND T1 0.42

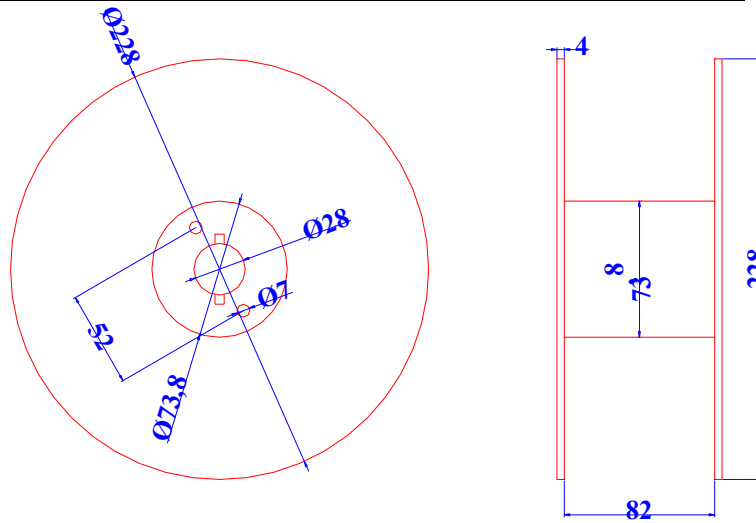
	NOMINAL VALUE	TOLERANCE
STRIPS	3	$\pm 0,2$
WIRE	0,42	$\pm 0,02$



- Tape width:  $3,0 (\pm 0,2)$
- Core thickness:  $0,74 (\pm 0,15)$
- Wing thickness:  $0,19 (\pm 0,05)$
- Coil weight:  $1,915 \text{ Kg } (\pm 2\%)$
- 1000 meters per coil
- 5 coils per box

## TWIST-BAND 0.42 standard coil

	NOMINAL VALUE	TOLERANCE
STRIPS	3	$\pm 0,2$
WIRE	0,42	$\pm 0,02$

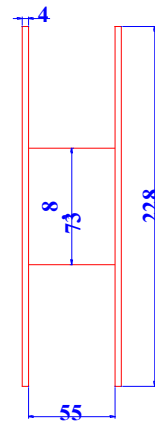
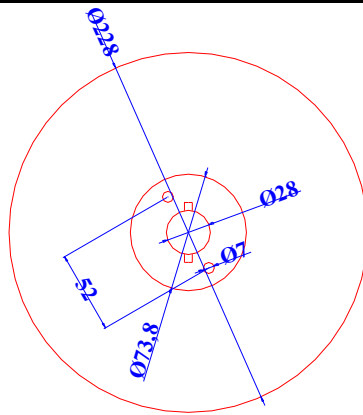


- Tape width: 3,0 ( $\pm 0,2$ )
- Core thickness: 0,74 ( $\pm 0,15$ )
- Wick thickness 0.19 ( $\pm 0,05$ )
- Coil weight: 1,915 Kg ( $\pm 2\%$ )
- 1000 meters per coil
- 5 coils per box



# TWIST-BAND 0.42 narrow coil

	NOMINAL VALUE	TOLERANCE
STRIPS	3	$\pm 0,2$
WIRE	0,42	$\pm 0,02$



- Tape width: 3,0 ( $\pm 0,2$ )
- Core thickness: 0,74 ( $\pm 0,15$ )
- Wing thickness: 0.19 ( $\pm 0,05$ )
- Coil weight: 0,957 Kg ( $\pm 2\%$ )
- 500 meters per coil
- 8 coils per box



