



TWIST-BAND T1 0.58



CORPORATE

- IROSTEL, since 1995, we are specialists in closure systems (Clip-Band and TwistBand) that are used in different sectors: food, packaging, agriculture, industry ...
 - In the year 2000, at IROSTEL we began a policy of international expansion and expanded the commercialization and distribution network throughout Europe and Latin America.
 - IROSTEL carries out research and product development tasks to offer differential and high value-added products covering the expectations of the most demanding clients.
 - At IROSTEL we work closely with companies to offer innovative products adapted to the needs of each client.
 - The awareness and interest of IROSTEL for sustainability and the environment, has allowed us to develop new ecological and recyclable products with biodegradable materials such as oxodegradable plastic or paper.
 - IROSTEL's planning, capacity and productive agility allow us to offer bespoke products very quickly in times of manufacture and delivery of material.
 - IROSTEL with 25 years of experience and more than 500 clients offers excellence, innovation and the maximum guarantee.
-



PRODUCTS

- Product adaptation to customer needs. (food, packaging, agriculture, gardening, industry, pharmaceutical ...)
- Perfect closure systems to preserve the quality of the packaged product.
 - The wire is always coated and does not protrude from its coating.
 - Perfect winding in parallel or cross to ensure continuous and perfect operation of the machines.
- Infers quality to the embalmed product.
- Biodegradable and sustainable materials.

SERVICES

- Coils compatible with all automatic or semi-automatic machines on the market.
 - Distributors of closing machines.
 - Technical assistance service.
 - Agility and efficiency.
 - Availability and immediate delivery.
 - Custom order volume.
-

TWIST - BAND T1:

Polypropylene closure system reinforced with 1 wires in the center.

Wire diameter:

0,42 mm

0,58 mm

Twist - Band width:

3 mm

Coil length:

1000 - 500 m - **other lengths available on request.**

Strips

Custom strips available on request.

Colours

Available in 10 colours: White, black, red, orange, blue, green, yellow, grey, brown, gold. Other colours available on request.

Applications

Compatible with all standard packing machines.

Food.

Industry.

Farming.

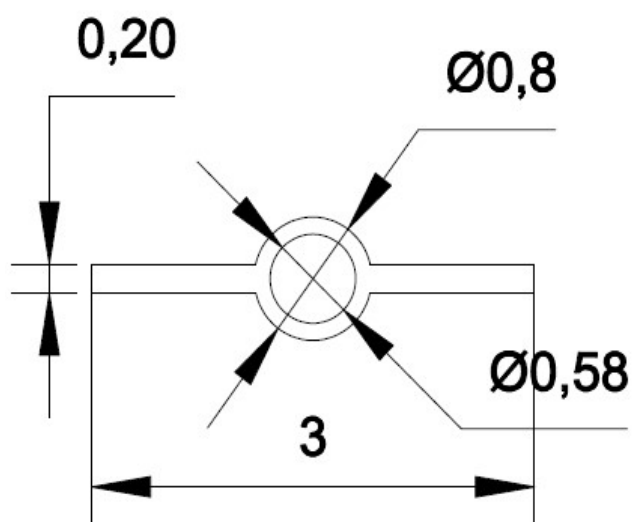
Gardening

Data sheet (PDF) Available:

- Twist-band T1
 - Coil Twist-band
 - Color chart
 - Fine profile T1
 - Fine profile T1 Coil
-

TWIST- BAND 0.58

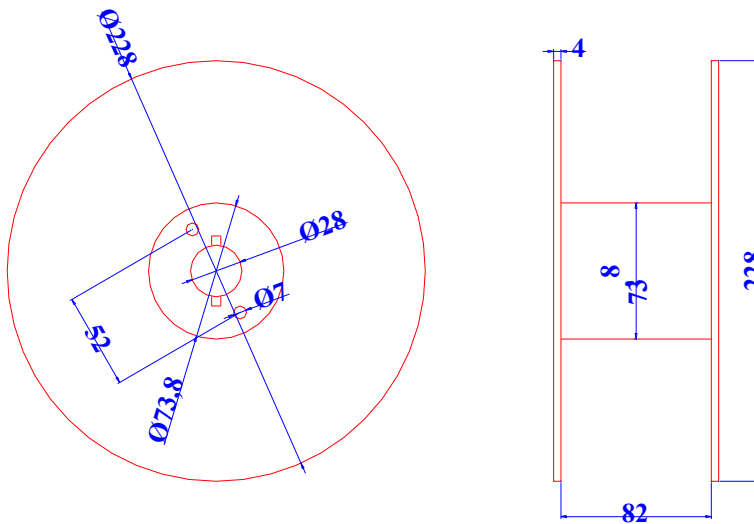
	NOMINAL VALUE	TOLERANCE
STRIPS	3	$\pm 0,2$
WIRE	0,58	$\pm 0,02$



- Tape width: $3 (\pm 0,2)$
- Core thickness: $0,80 (\pm 0,15)$
- Wing thickness: $0,20 (\pm 0,05)$
- Coil weight: $3 \text{ Kg } (\pm 2\%)$
- 1000 meters per coil
- 5 coils per box

TWIST- standard coil

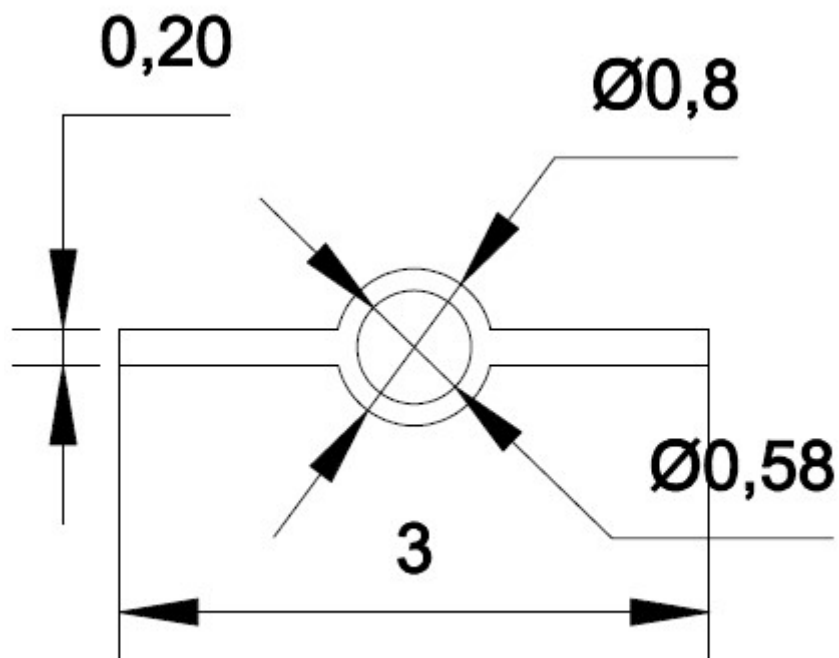
	NOMINAL VALUE	TOLERANCE
STRIPS	3	$\pm 0,2$
WIRE	0,42	$\pm 0,02$



- Tape width: $3 (\pm 0,2)$
- Core thickness: $0,80 (\pm 0,15)$
- Wick thickness: $0.20 (\pm 0,05)$
- Coil weight: $3 \text{ Kg } (\pm 2\%)$
- 1000 meters per coil
- 5 coils per box

TWIST- BAND 0.58

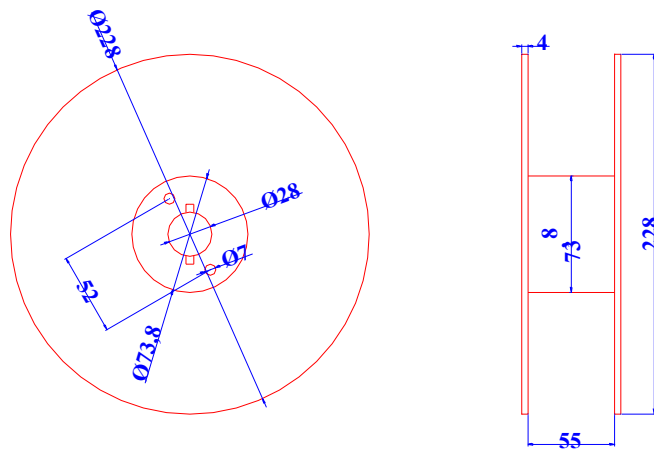
	NOMINAL VALUE	TOLERANCE
STRIPS	3	$\pm 0,2$
WIRE	0,58	$\pm 0,02$



- Tape width:: 3 ($\pm 0,2$)
- Core thickness: 0,80 ($\pm 0,15$)
- Wick thickness: 0.20 ($\pm 0,05$)
- Coil weight: 1.5 Kg ($\pm 2\%$)
- 500 meters per coil
- 8 coils per box

TWIST-narrow coil

	NOMINAL VALUE	TOLERANCE
STRIPS	3	$\pm 0,2$
WIRE	0,42	$\pm 0,02$



- Tape width: 3 ($\pm 0,2$)
- Core thickness: 0,80 ($\pm 0,15$)
- Wing thickness: 0.20 ($\pm 0,05$)
- Coil weight: 1.5 Kg ($\pm 2\%$)
- 500 meters per coil
- 8 coils per box