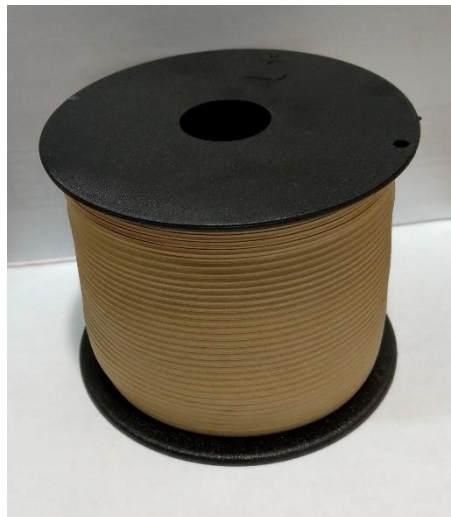




TWIST-BAND T1 PAPER KRAFT



CORPORATE

- IROSTEL, since 1995, we are specialists in closure systems (Clip-Band and TwistBand) that are used in different sectors: food, packaging, agriculture, industry ...
 - In the year 2000, at IROSTEL we began a policy of international expansion and expanded the commercialization and distribution network throughout Europe and Latin America.
 - IROSTEL carries out research and product development tasks to offer differential and high value-added products covering the expectations of the most demanding clients.
 - At IROSTEL we work closely with companies to offer innovative products adapted to the needs of each client.
 - The awareness and interest of IROSTEL for sustainability and the environment, has allowed us to develop new ecological and recyclable products with biodegradable materials such as oxodegradable plastic or paper.
 - IROSTEL's planning, capacity and productive agility allow us to offer bespoke products very quickly in times of manufacture and delivery of material.
 - IROSTEL with 25 years of experience and more than 500 clients offers excellence, innovation and the maximum guarantee.
-



PRODUCTS

- Product adaptation to customer needs. (food, packaging, agriculture, gardening, industry, pharmaceutical ...)
- Perfect closure systems to preserve the quality of the packaged product.
- The wire is always coated and does not protrude from its coating.
- Perfect winding in parallel or cross to ensure continuous and perfect operation of the machines.
- Infers quality to the embalmed product.
- Biodegradable and sustainable materials.

SERVICES

- Coils compatible with all automatic or semi-automatic machines on the market.
 - Distributors of closing machines.
 - Technical assistance service.
 - Agility and efficiency.
 - Availability and immediate delivery.
 - Custom order volume.
-

TWIST - BAND T1:

Polypropylene closure system reinforced with 1 wires in the center.

Wire diameter:

0,42 mm

Twist - Band width:

3 mm

Coil length:

1500 - 700 m -other lengths available on request.

Strips:

Custom strips available on request.

Colours:

Available in kraft color

Applications:

Compatible with all standard packing machines.

Food

Industry.

Farming.

Gardening

Data sheet (PDF) Available:

- TWIST-BAND 0.42 KRAFT.pdf
-

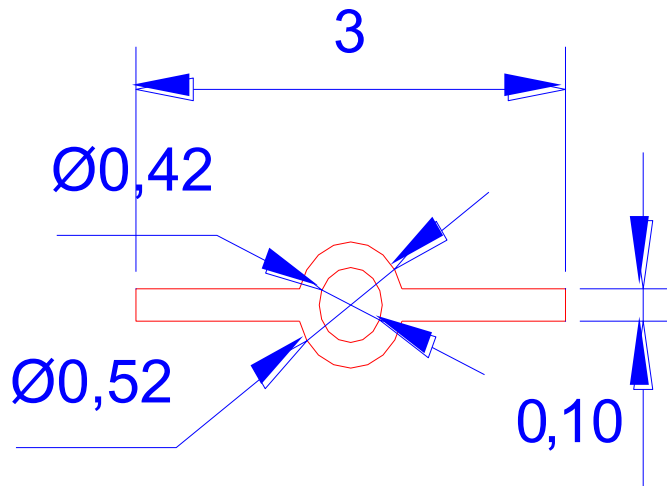
TWIST-BAND KRAFT

DESCRIPTION:

Recyclable and compostable Kraft paper is a material derived from wood and has a good resistance thanks to its natural fibers.

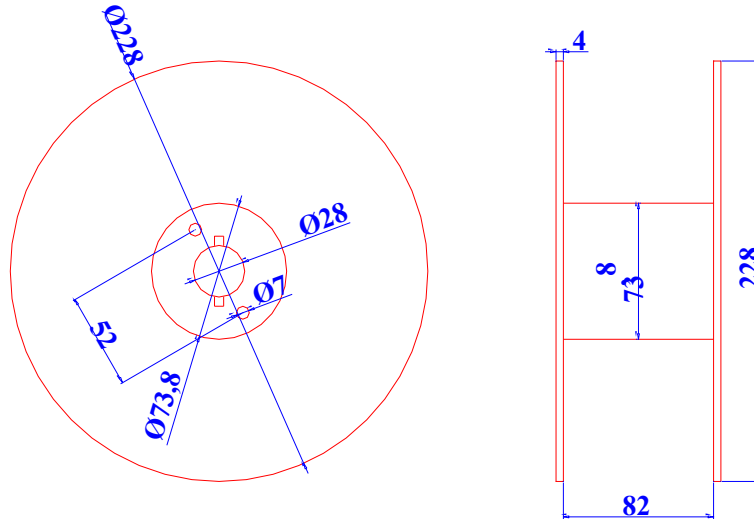
The interior wire is 100% compostable, this means that if the wire is exposed to the weather for a period of time (approximately one year) it oxidizes and degrades (composts) in its natural elements such as iron, carbon, silicon, manganese, chromium, copper and other components.

	NOMINAL VALUE	TOLERANCE
STRIPS	3	$\pm 0,3$
WIRE	0,42	$\pm 0,02$

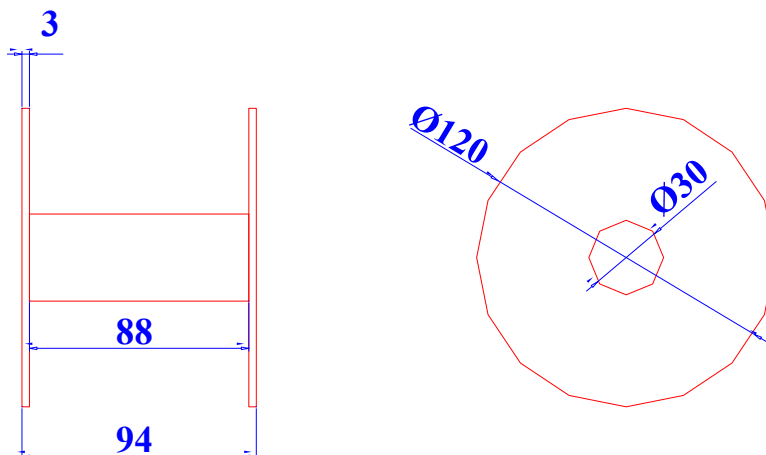


- Tape width: 3,0 ($\pm 0,02$)
- Core thickness: 0,52 ($\pm 0,05$)
- Wing thickness: 0,10 ($\pm 0,02$)
- 700 meters per coil – 1,2 kg per coil - 12 coils per box
- 1500 meters per coil – 2,4 kg per coils - 5 coils per box

COIL TWIST KRAFT 1500 METERS



COIL TWIST KRAFT 700 METERS



TWIST KRAFT 1500 METERS



TWIST KRAFT 700 METERS

