



IROSTEL

Recubrimientos plásticos

MASKS



Pol. Ind. Comte de Sert - C/ Motors, 3
CASTELLBISBAL (Barcelona) SPAIN

Telephone: +34 93 773 90 18

Email: irostel@irostel.com

www.irostel.com

COMPANY

- IROSTEL, since 1995, we are specialists in **closure systems (Clip-Band and Twist-Band)** that are used in different sectors: Pharma, food, packaging, agriculture, industry ...
- In 2000, at IROSTEL we started a policy of international expansion and expanded the commercialization throughout **Europe and Latin America**.
- IROSTEL carries out **research and product development tasks** to offer differential and high value-added products covering the expectations of the most demanding clients.
- At IROSTEL we work closely with companies to offer **innovative products** adapted to the needs of each client.
- The interest of IROSTEL for sustainability and the environment has allowed us to develop new **ecological and recyclable products with biodegradable materials** such as [PLA](#) or paper.
- The capacity and productive agility from IROSTEL allow us to offer **bespoke products very quickly** during manufacturing and material delivery times.
- IROSTEL with **25 years of experience and more than 500 clients** offers excellence, innovation and the maximum guarantee.



PRODUCTS

- Product adaptation to customer needs. (Pharmaceutical, food, packaging, agriculture, gardening, industry...)
- Perfect closure systems.
 - The wire is always coated and does not protrude from its coating.
 - Perfect winding in parallel or cross to ensure continuous and perfect operation of the machines.
- Gives quality to the packaged product.
- Biodegradable and sustainable materials.

SERVICES

- Reels compatible with all automatic or semi-automatic machines on the market.
- Distributors of closing machines.
- Technical assistance service.
- Agility and efficiency.
- Availability and immediate delivery.
- Custom order volume.

TWIST – BAND T1 MASK

Wire reinforced polypropylene closure system

Wire diameter

0,42 – 0,50 - 0.58 mm diameter.

Width Twist - Band:

3 mm.

Reels:

1.000 - 1.400 -3.000 - 8.000 meters (0,42)

1.000 – 2.500 – 6.000 meters (0,50)

1.000 -2.000 - 6.000 meters (0,58)

Colors:

Available in 10 colors: White, Black, Red, Orange, Blue, Green, Yellow, Gray, Brown, Gold.

Other colors on request.

Applications:

Compatible with all standard packaging machines.

Health.

Pharmacy.

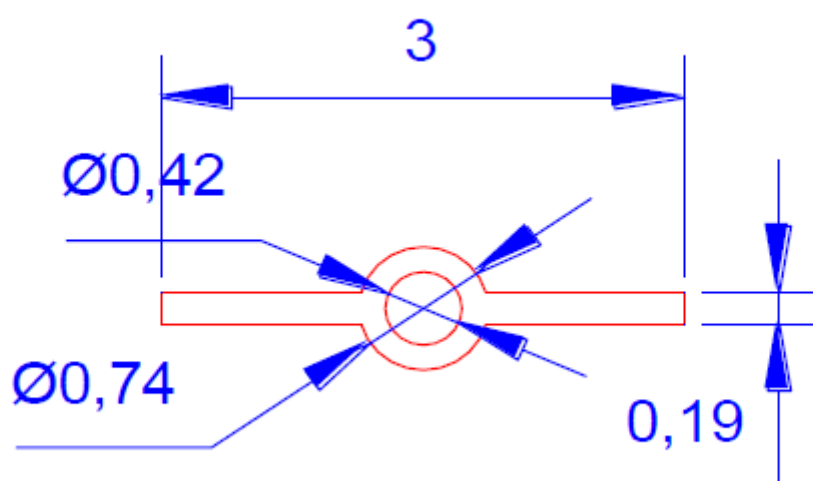
Industry.

Data sheet:

- Twist-band 0.42 mm
- Twist-band 0.50 mm
- Twist-band 0.58 mm

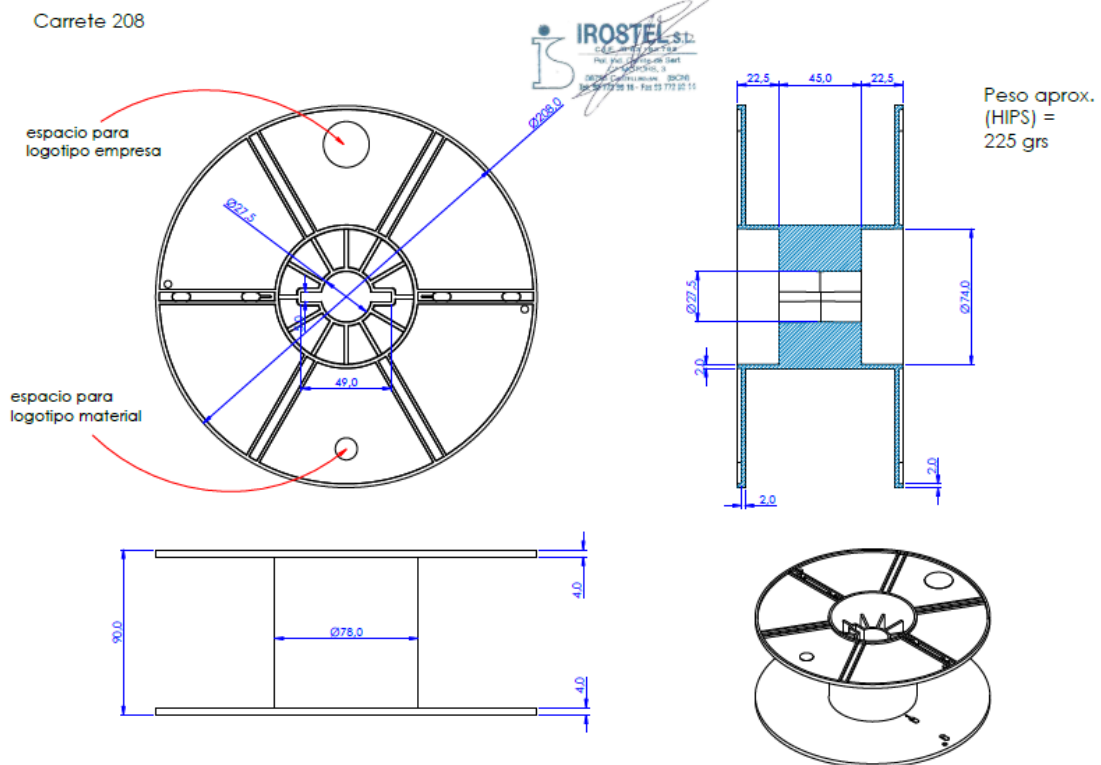
TWIST-BAND 0,42

	NOMINAL VALUE	TOLERANCE
STRIPS	3	$\pm 0,3$
WIRE	0,42	$\pm 0,02$



TWIST-BAND 0,42 STANDARD REEL

	NOMINAL VALUE	TOLERANCE
STRIPS	3	$\pm 0,3$
WIRE	0,42	$\pm 0,02$

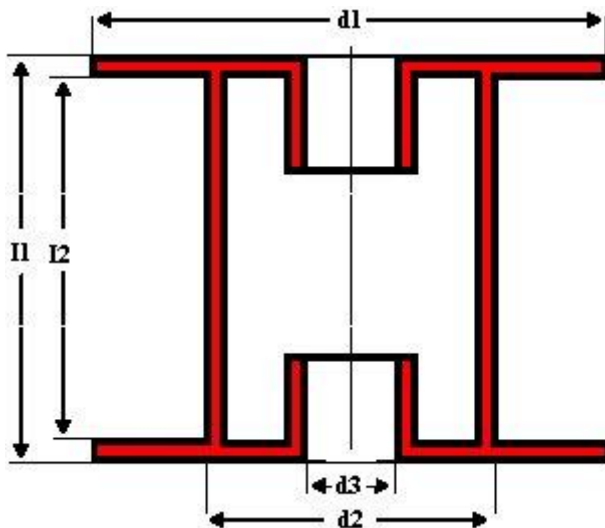


- Width: $3,0 (\pm 0,3)$
- Center thickness: $0,74 (\pm 0,15)$
- Wing thickness: $0,19 (\pm 0,05)$
- Reel weight: 1,9Kg
- 1000 meters per reel
- 5 reels per box

TWIST-BAND 0,42 MEDIUM REEL

	NOMINAL VALUE	TOLERANCE
STRIPS	3	$\pm 0,3$
WIRE	0,42	$\pm 0,02$

260-FU45



d1	260
d2	90
d3	45
I1	161
I2	151
gr.	367
cm3	7060

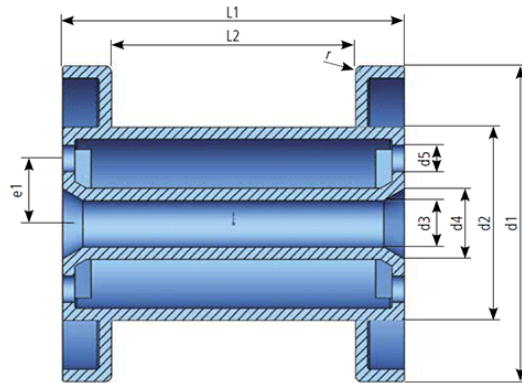
- Width: 3,0 ($\pm 0,3$)
- Center thickness: 0,74 ($\pm 0,15$)
- Wing thickness: 0.19 ($\pm 0,05$)
- Reel weight: 5,0Kg
- 2500 meters per reel



TWIST-BAND 0,42 BIG REEL

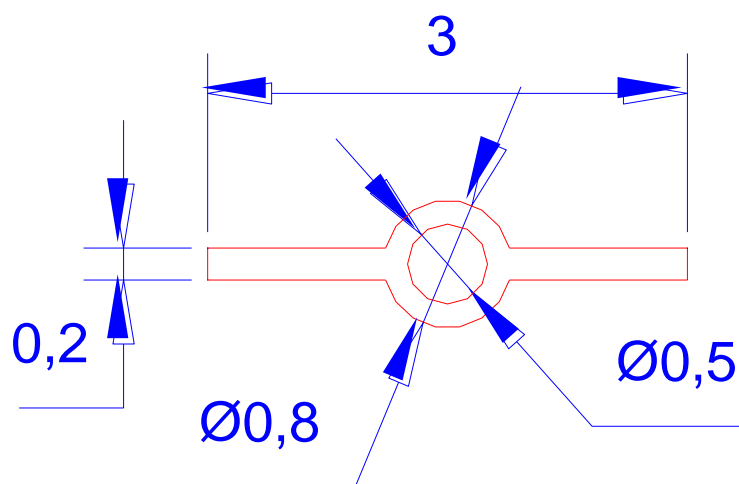
	NOMINAL VALUE	TOLERANCE
STRIPS	3	$\pm 0,3$
WIRE	0,42	$\pm 0,02$

- d1: 335 mm
- d2: 190 mm
- d5: 51 mm
- d4: 51 mm
- d5: 20 mm
- e1: 70 mm
- l1: 245 mm
- l2: 220 mm
- Winding volume: 13147 cm³
- WEIGHT: 1050 gr.
- REEL 8.000 m
- WEIGHT 21 kg



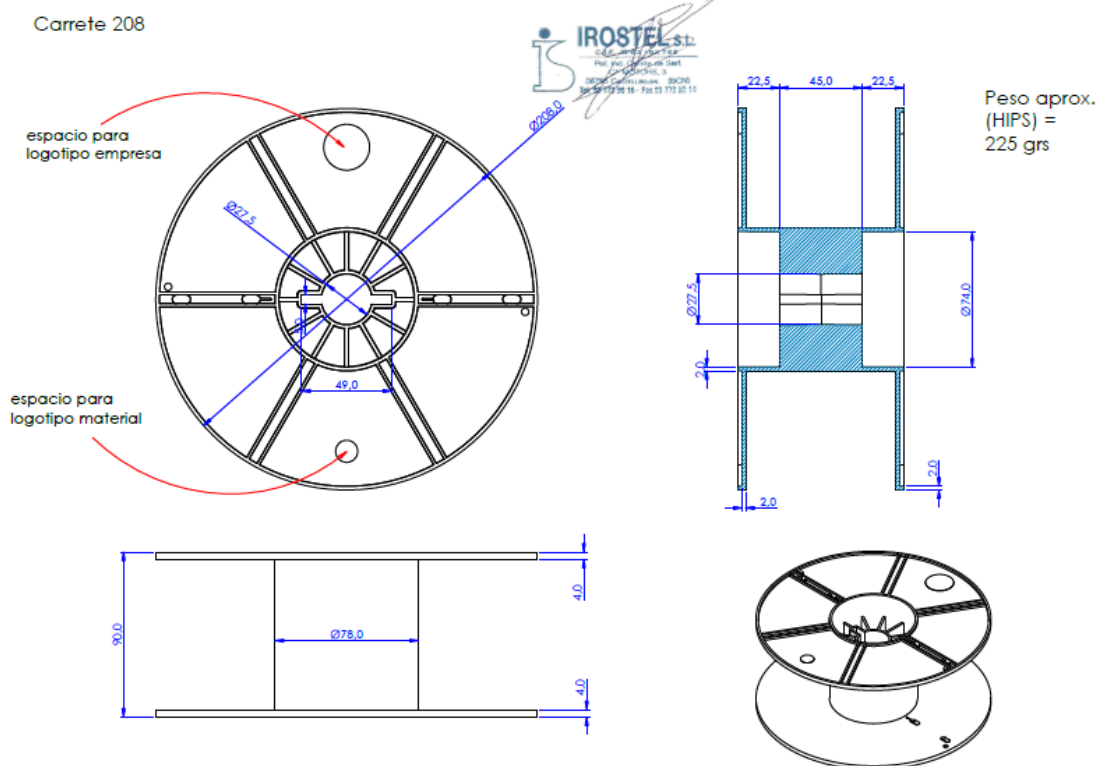
TWIST-BAND 0,50

	NOMINAL VALUE	TOLERANCE
STRIPS	3	$\pm 0,3$
WIRE	0,50	$\pm 0,02$



TWIST-BAND 0,50 STANDARD REEL

	NOMINAL VALUE	TOLERANCE
STRIPS	3	$\pm 0,3$
WIRE	0,50	$\pm 0,02$

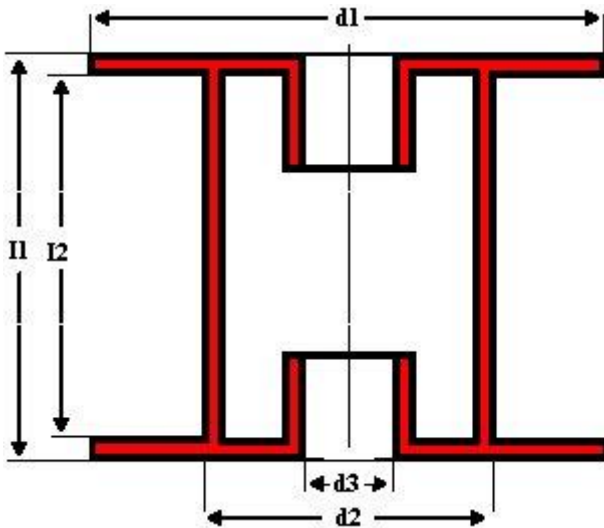


- Width: 3,0 ($\pm 0,3$)
- Center thickness: 0,80 ($\pm 0,15$)
- Wing thickness: 0,20 ($\pm 0,05$)
- Reel weight: 2,3 Kg
- 1000 meters per reel
- 5 reels per box

TWIST-BAND 0,50 MEDIUM REEL

	NOMINAL VALUE	TOLERANCE
STRIPS	3	$\pm 0,3$
WIRE	0,50	$\pm 0,02$

260-FU45



d1	260
d2	90
d3	45
I1	161
I2	151
gr.	367
cm3	7060

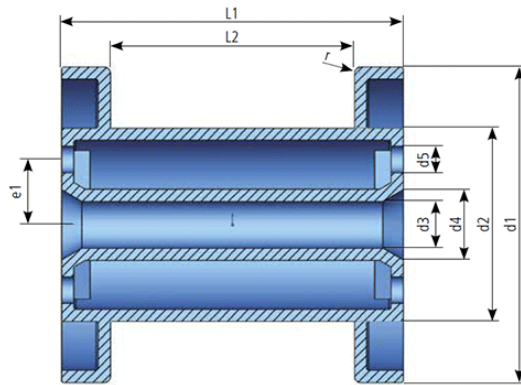
- Width: 3,0 ($\pm 0,3$)
- Center thickness: 0,80 ($\pm 0,15$)
- Wing thickness: 0,20 ($\pm 0,05$)
- Reel weight: 5,8 Kg
- 2500 meters per reel



TWIST-BAND 0,50 BIG REEL

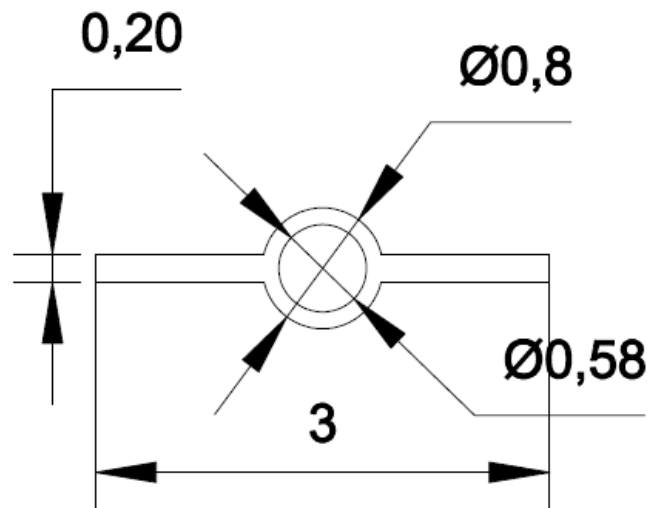
	NOMINAL VALUE	TOLERANCE
STRIPS	3	$\pm 0,3$
WIRE	0,50	$\pm 0,02$

- d1: 335 mm
- d2: 190 mm
- d5: 51 mm
- d4: 51 mm
- d5: 20 mm
- e1: 70 mm
- l1: 245 mm
- l2: 220 mm
- Winding volume: 13147 cm³
- WEIGHT: 1050 gr.
- REEL 6.000 m
- WEIGHT 20 kg



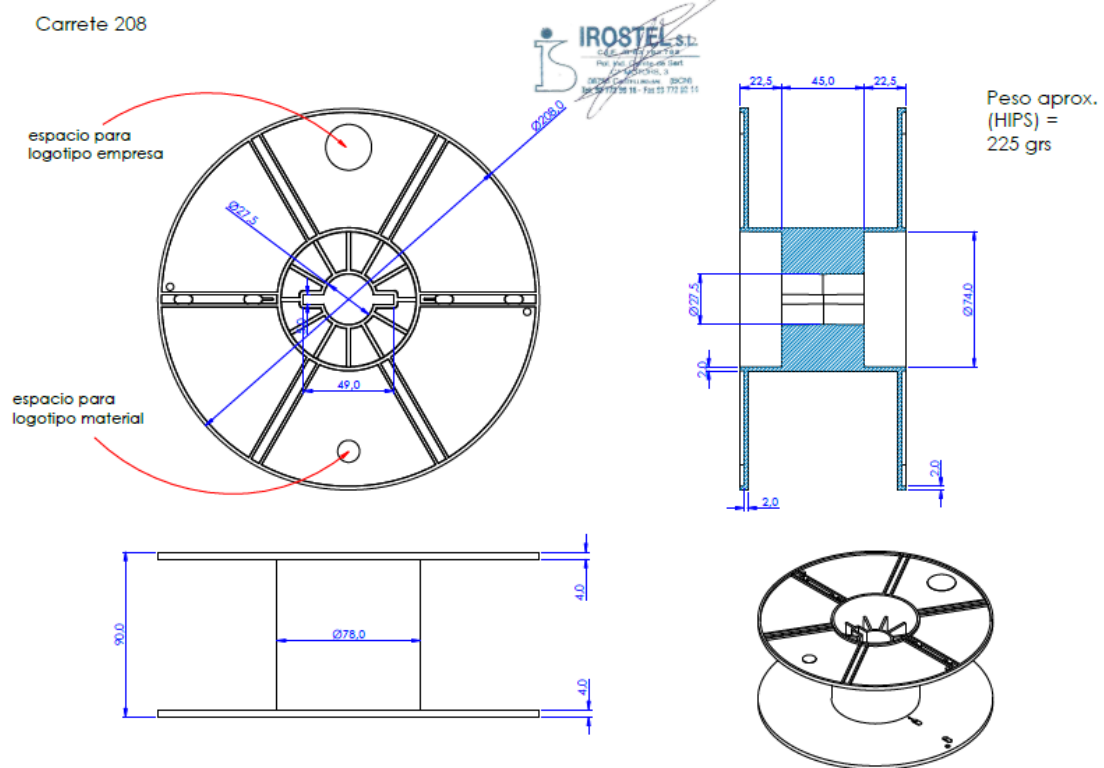
TWIST-BAND 0,58

	NOMINAL VALUE	TOLERANCE
STRIPS	3	$\pm 0,3$
WIRE	0,58	$\pm 0,02$



TWIST-BAND 0,58 STANDARD REEL

	NOMINAL VALUE	TOLERANCE
STRIPS	3	$\pm 0,3$
WIRE	0,58	$\pm 0,02$

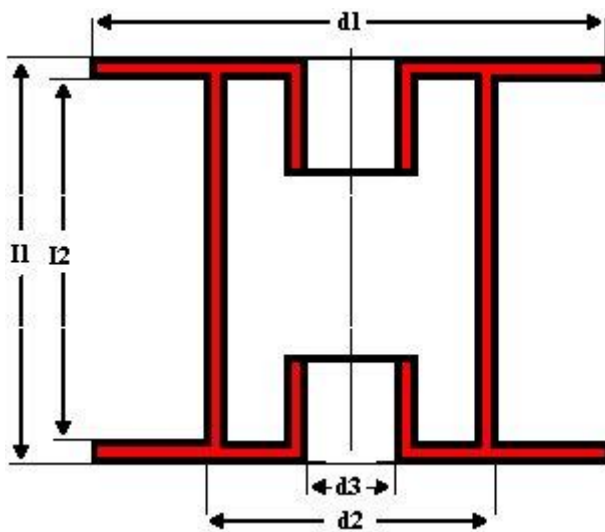


- Width: 3,0 ($\pm 0,3$)
- Center thickness: 0,80 ($\pm 0,15$)
- Wing thickness: 0,20 ($\pm 0,05$)
- Reel weight: 3,1 Kg
- 1000 meters per reel
- 5 reels per box

TWIST-BAND 0,58 MEDIUM REEL

	NOMINAL VALUE	TOLERANCE
STRIPS	3	$\pm 0,3$
WIRE	0,58	$\pm 0,02$

260-FU45



d1	260
d2	90
d3	45
I1	161
I2	151
gr.	367
cm3	7060

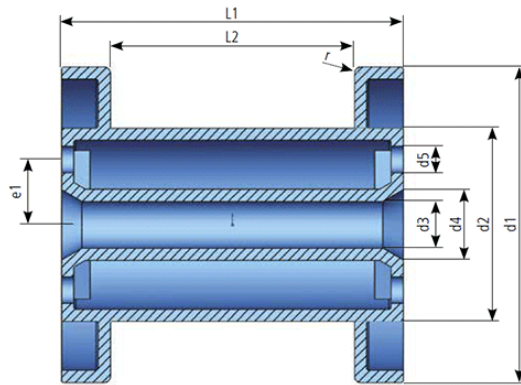
- Width: 3,0 ($\pm 0,3$)
- Center thickness: 0,80 ($\pm 0,15$)
- Wing thickness: 0,20 ($\pm 0,05$)
- Reel weight: 6,4 Kg
- 2000 meters per reel



TWIST-BAND 0,58 BIG REEL

	NOMINAL VALUE	TOLERANCE
STRIPS	3	$\pm 0,3$
WIRE	0,58	$\pm 0,02$

- d1: 335 mm
- d2: 190 mm
- d5: 51 mm
- d4: 51 mm
- d5: 20 mm
- e1: 70 mm
- l1: 245 mm
- l2: 220 mm
- Winding volume: 13147 cm³
- WEIGHT: 1050 gr.
- REEL 6.000 m
- WEIGHT 20 kg



CLIP – BAND MASK:

Wire reinforced polypropylene closure system.

Biodegradable [PLA](#) nose fitting system reinforced with 1 or 2 wires.

Wire diameter

0,50 - 0,58 - 0,70 - 0,80 mm diameter.

Tape width

0,58 mm – 0,50 mm = 5 mm

0,6 / 0,7 / 0,8 mm = 8 mm.

Coils

0,50 mm = 1.200 m – 1.500 m

0,58 mm = 1.500 m - Other measures available on request

0,6 - 0,7 – 0,8 mm = 500 - 600 m - Other measures available on request

Strips

Custom strips available on request.

Colours

Available in 10 colours: White, black, red, orange, blue, green, yellow, grey, brown, gold.

Other colours available on request.

Options

Adhesive clipband

Applications

Pharmaceutical and healthcare industry.

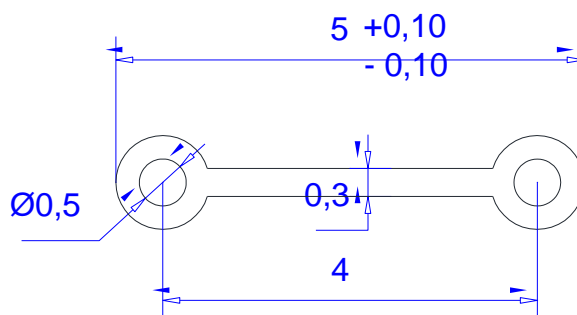
Data Sheet (PDF)

- Clip-band 0.50 mm
- Clip-band 0.58 mm
- Clip-band 0,60mm.
- Clip-band 0,70mm.
- Clip-band 0,80mm

CLIP-BAND 0,50 RC

	NOMINAL VALUE	TOLERANCE
STRIPS	5,00	$\pm 0,3$
WIRE	0,50	$\pm 0,02$

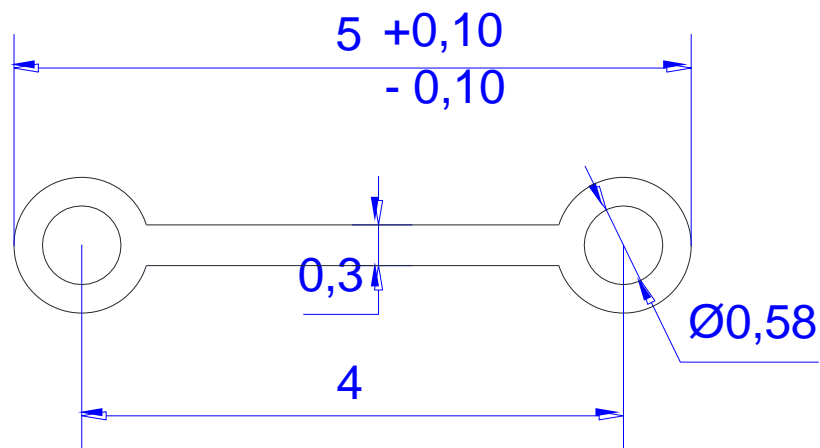
Clip 0.50 rc



- Width: 5,00 ($\pm 0,3$)
- Center thickness: 1,0 ($\pm 0,15$)
- Central thickness: 0,30 ($\pm 0,05$)
- Coil weight: 7,0 Kg ($\pm 2\%$)
- 1500 meters per coil
- Internal diameter: $\text{Ø}150$ mm
- Width coil: 75 mm

CLIP-BAND 0,58 RC

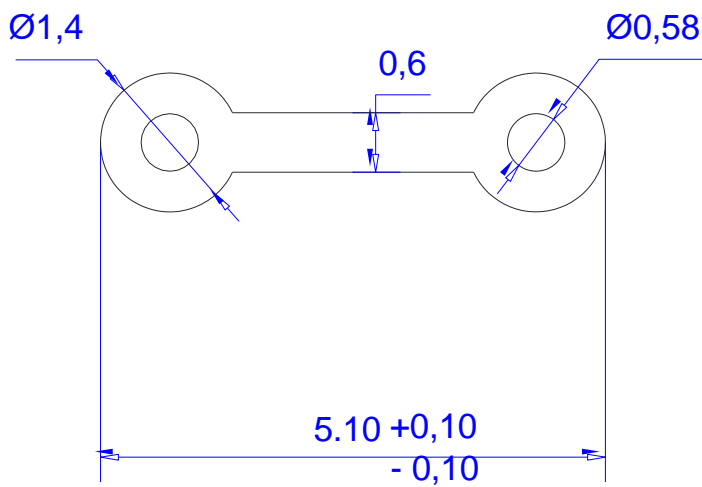
	NOMINAL VALUE	TOLERANCE
STRIPS	5,00	$\pm 0,3$
WIRE	0,58	$\pm 0,02$



- Width: 5,00 ($\pm 0,3$)
- Center thickness: 1,0 ($\pm 0,15$)
- Central thickness: 0.30 ($\pm 0,05$)
- Coil weight: 8,5 Kg ($\pm 2\%$)
- 1500 meters per coil
- Internal diameter: $\text{Ø}150$ mm
- Width coil: 75 mm

CLIP-BAND 0,58 BIODEGRADABLE

	NOMINAL VALUE	TOLERANCE
STRIPS	5,00	±0,3
WIRE	0,58	±0,02

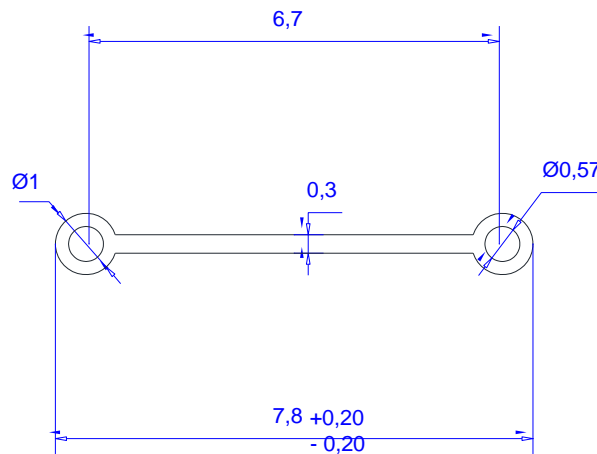


- Width: 5,00 (±0,3)
- Center thickness: 1,4 (±0,15)
- Central thickness: 0.70 (±0,05)
- Coil weight: 8,15 Kg (±2%)
- 900 meters per coil
- Internal diameter: Ø150 mm
- Width coil: 75 mm

CLIP-BAND 0.60

	NOMINAL VALUE	TOLERANCE
STRIPS	7,8	$\pm 0,3$
WIRE	0,57	$\pm 0,02$

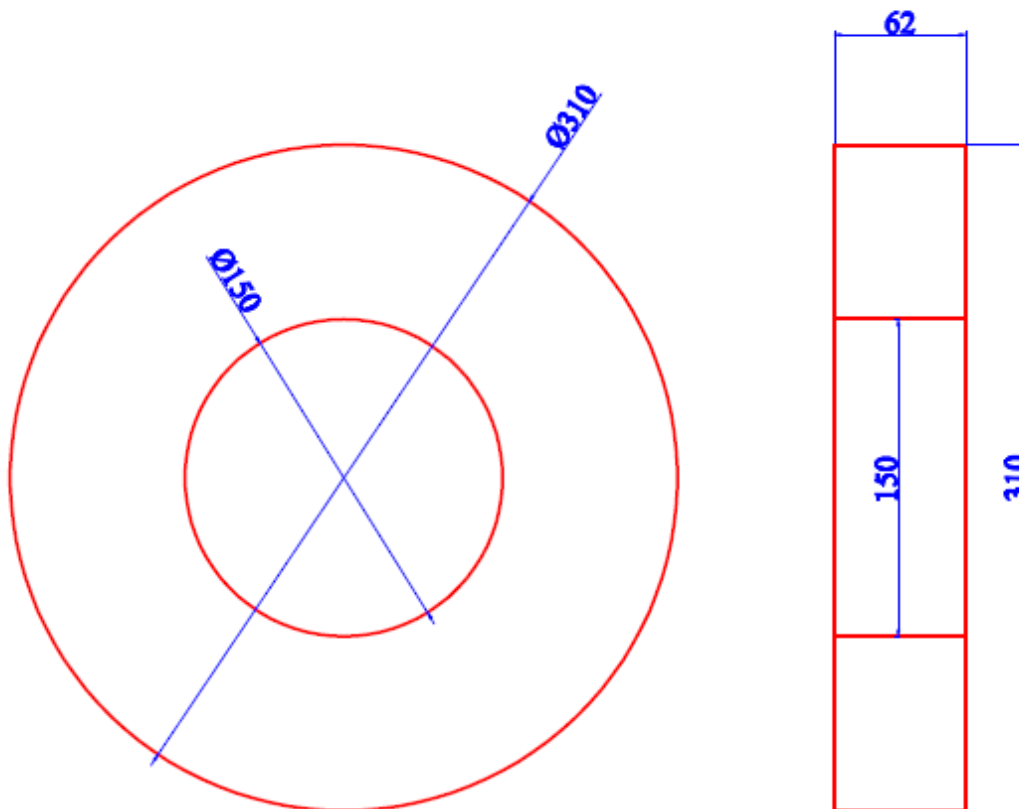
Clip 0.60



- Width: 7,8 ($\pm 0,3$)
- Center thickness: 1,0 ($\pm 0,15$)
- Central thickness: 0.30 ($\pm 0,05$)
- Coil weight: 3,650 Kg ($\pm 2\%$)
- 600 meters per coil
- 5 coil per box
- Internal diameter: $\varnothing 150$ mm
- Width coil: 75 mm

CLIP-BAND 0.60

	NOMINAL VALUE	TOLERANCE
STRIPS	7,8	±0,3
WIRE	0,57	±0,02

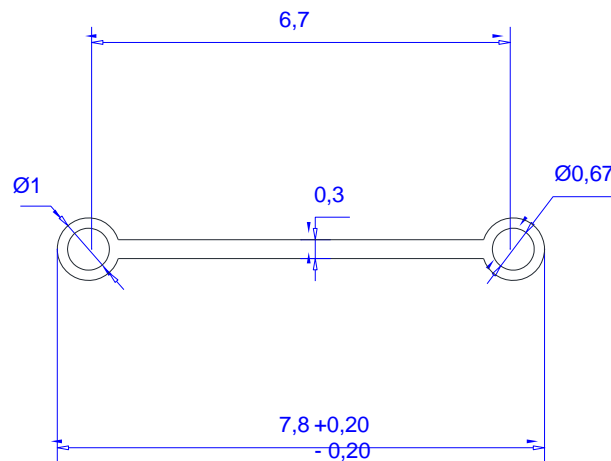


- Width: 7,8 ($\pm 0,3$)
- Center thickness: 1,0 ($\pm 0,15$)
- Central thickness: 0.30 ($\pm 0,05$)
- Coil weight: 3,650 Kg ($\pm 2\%$)
- 600 meters per coil
- 5 coil per box
- Internal diameter: $\text{Ø}150$ mm
- Width coil: 75 mm

CLIP-BAND 0.70

	NOMINAL VALUE	TOLERANCE
STRIPS	7,8	$\pm 0,3$
WIRE	0,67	$\pm 0,02$

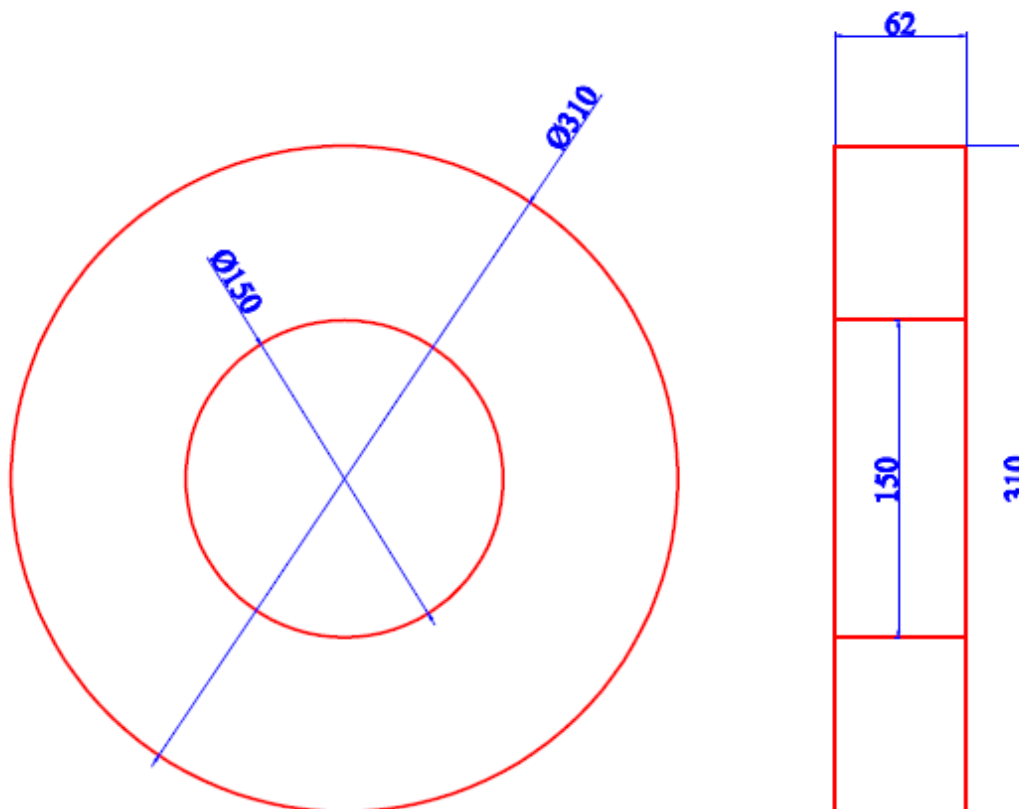
Clip 0.70



- Width: 7,8 ($\pm 0,3$)
- Center thickness: 1,0 ($\pm 0,15$)
- Central thickness: 0.30 ($\pm 0,05$)
- Coil weight: 3,850 Kg ($\pm 2\%$)
- 500 meters per coil
- 5 coil per box
- Internal diameter: $\text{Ø}150$ mm
- Width coil: 75 mm

CLIP-BAND 0.70

	NOMINAL VALUE	TOLERANCE
STRIPS	7,8	±0,3
WIRE	0,67	±0,02

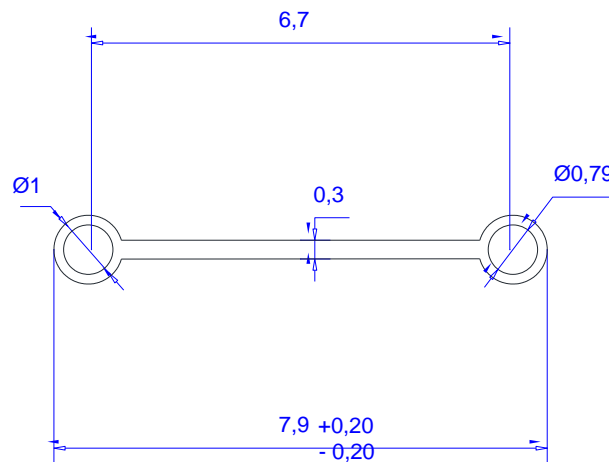


- Width: 7,8 ($\pm 0,3$)
- Center thickness: 1,0 ($\pm 0,15$)
- Central thickness: 0.30 ($\pm 0,05$)
- Coil weight: 3,850 Kg ($\pm 2\%$)
- 500 meters per coil
- 5 coil per box
- Internal diameter: $\text{Ø}150$ mm
- Width coil: 75 mm

CLIP-BAND 0.80

	NOMINAL VALUE	TOLERANCE
STRIPS	8,0	$\pm 0,3$
WIRE	0,79	$\pm 0,02$

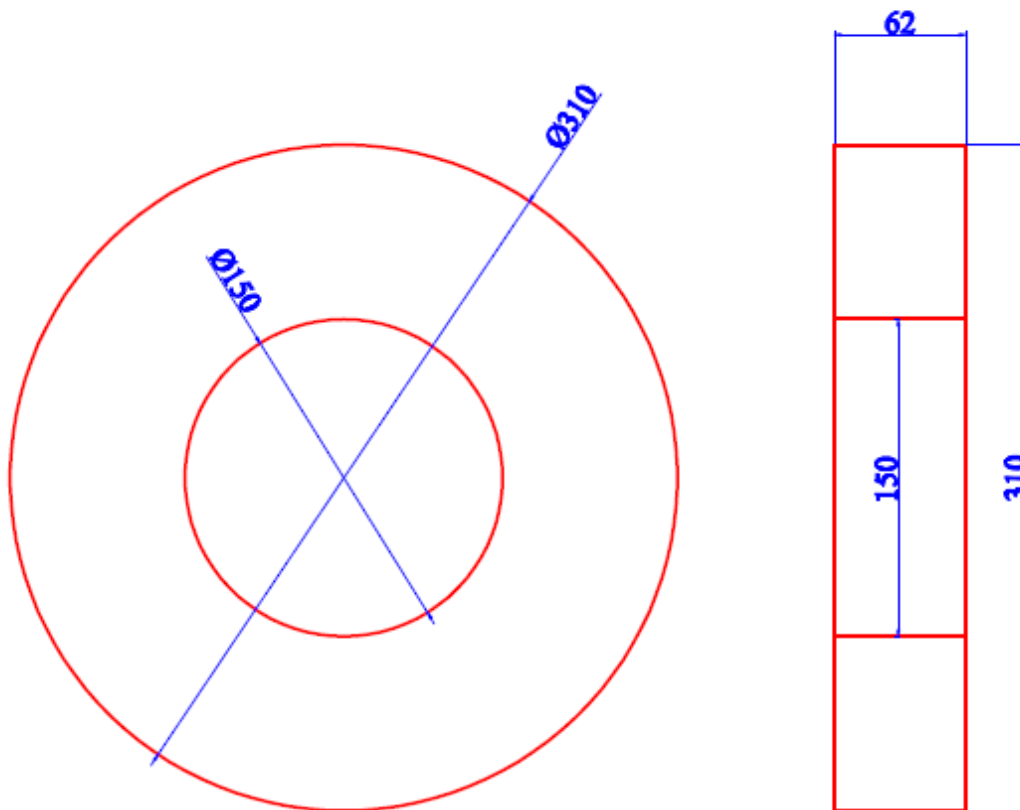
Clip 0.80



- Width: 7,9 ($\pm 0,3$)
- Center thickness: 1,1 ($\pm 0,15$)
- Central thickness: 0.30 ($\pm 0,05$)
- Coil weight: 4,650 Kg ($\pm 2\%$)
- 500 meters per coil
- 5 coil per box
- Internal diameter: $\varnothing 150$ mm
- Width coil: 75 mm

CLIP-BAND 0.80

	NOMINAL VALUE	TOLERANCE
STRIPS	8,0	±0,3
WIRE	0,79	±0,02



- Width: 7,9 ($\pm 0,3$)
- Center thickness: 1,1 ($\pm 0,15$)
- Central thickness: 0.30 ($\pm 0,05$)
- Coil weight: 4,650 Kg ($\pm 2\%$)
- 500 meters per coil
- 5 coil per box
- Internal diameter: $\text{Ø}150$ mm
- Width coil: 75 mm